

PRODUCT INFORMATION PACKET

Model No: 5KH32GN42S

Catalog No: HG196

1/6 HP General Purpose Farm Duty Motor, 1 phase, 1800 RPM, 115 V, 48 Frame, TENV
Single Phase Farm Duty Motors





Nameplate Specifications

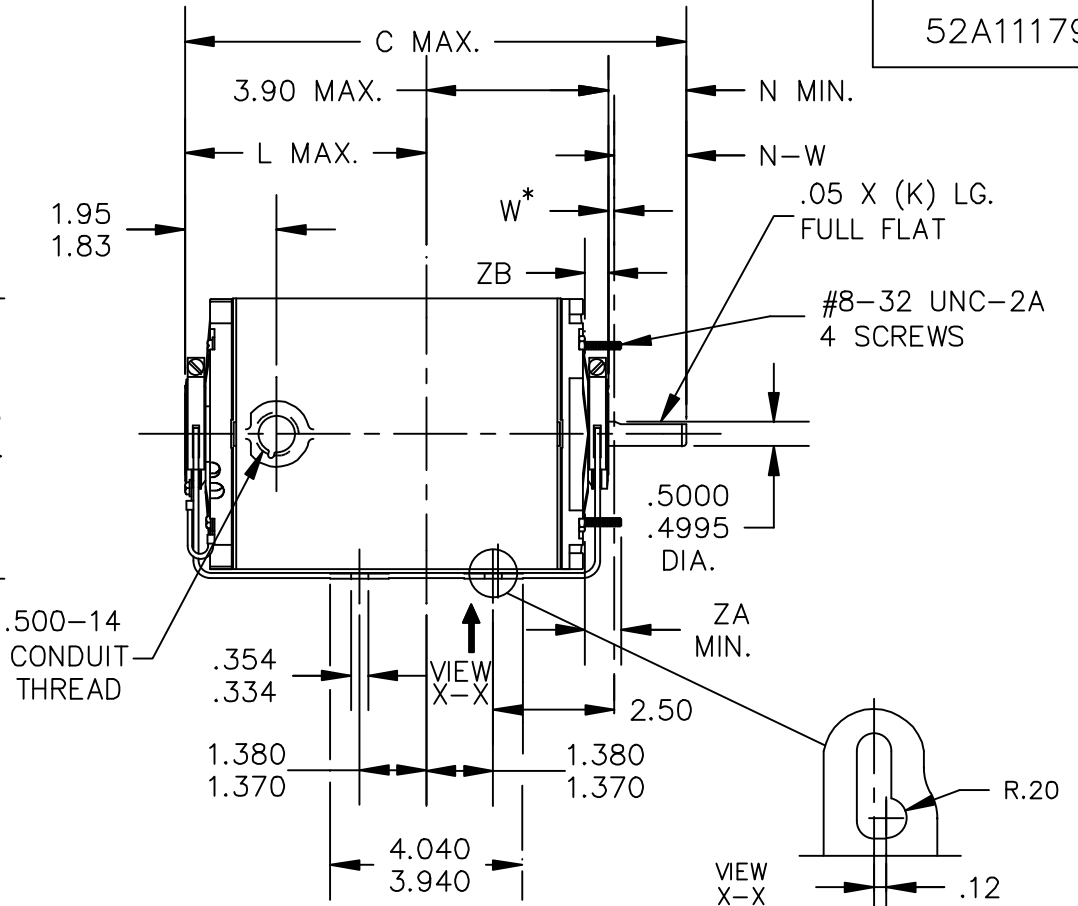
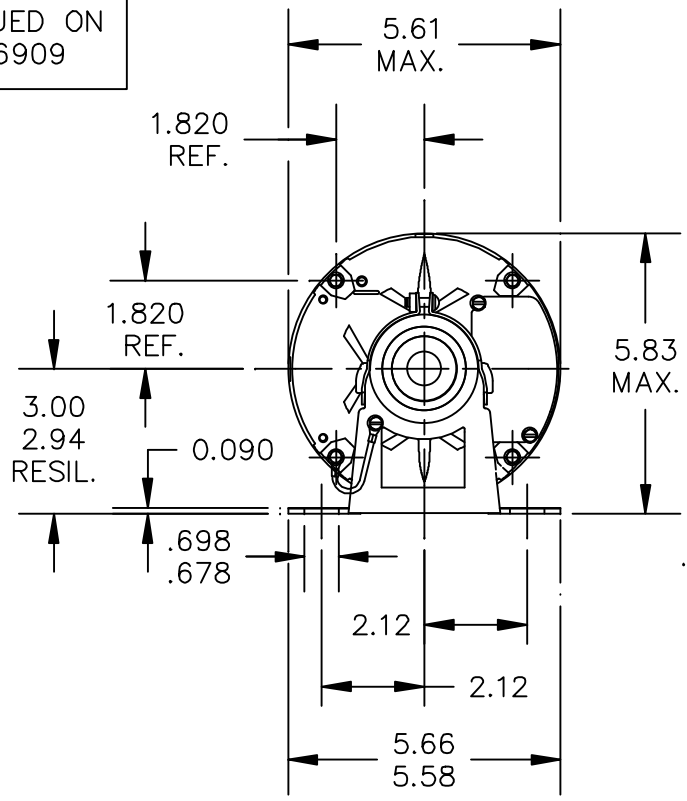
Output HP	0.17 Hp	Output KW	0.13 kW
Frequency	60 Hz	Voltage	115 V
Current	3.5 A	Speed	1725 rpm
Service Factor	1	Phase	1
Efficiency	50.3 %	Power Factor	0
Duty	Continuous	Insulation Class	B
KVA Code	S	Frame	48
Enclosure	Totally Enclosed Non Ventilated	Thermal Protection	AUTO
Ambient Temperature	40 °C	Drive End Bearing Size	6203
Opp Drive End Bearing Size	6203	UL	Recognized
CSA	Yes	CE	N

Technical Specifications

Electrical Type	Split Phase	Starting Method	SM
Poles	4	Rotation	Counterclockwise/Clockwise
Mounting	Resilient Base	Motor Orientation	ANY
Drive End Bearing	BALL	Opp Drive End Bearing	Ball
Frame Material	Rolled Steel	Overall Length	8.94 in
Frame Length	5.16 in	Shaft Diameter	0.500 in
Shaft Extension	1.5 in		
Connection Drawing	52A105379AA	Outline Drawing	52A111799P1

This is an uncontrolled document once printed or downloaded and is subject to change without notice. Date Created:03/11/2020

CONTINUED ON
52A106909



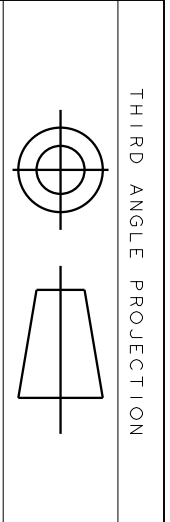
7	K	36	48Z	10.50	1.66	4.65	2.00	2.13/1.91	.55/.52	.62
6	KH	32	48	8.94	1.16	3.59	1.50	1.63/1.41	.55/.52	1.31
5	KH	37	48	10.40	1.16	5.05	1.50	1.63/1.41	.55/.52	.62
4	KH	36	48	10.00	1.16	4.65	1.50	1.63/1.41	.55/.52	.62
3	KH	35	48	9.57	1.16	4.22	1.50	1.63/1.41	.55/.52	.62
2	KH	33	48	9.19	1.16	3.84	1.50	1.63/1.41	.55/.52	.62
1	KH	32	48	8.94	1.16	3.59	1.50	1.63/1.41	.55/.52	.62

P	TYPE	RBC SIZE	NEMA FR	C	K	L	N	N-W	ZB	ZA
---	------	----------	---------	---	---	---	---	-----	----	----

.500-14
CONDUIT
THREAD

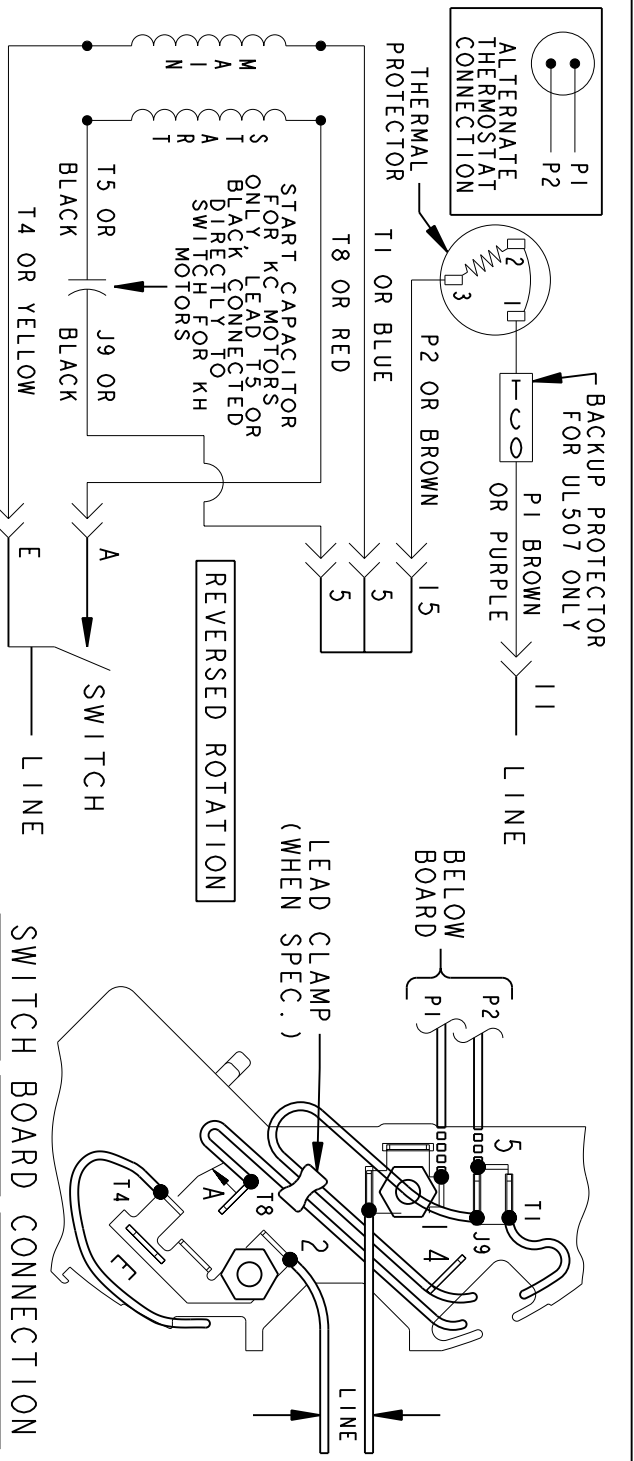
W* IS A CLEARANCE DUE TO VARIATION IN PARTS AND ASSEMBLY.

				TOLERANCES UNLESS SPECIFIED		REGAL-BELOIT CORPORATION		DRAWN BM 10/11/07		
				DEC.	INCHES			CHK		
				.X	±0.1	TITLE		APPD PKG 10/11/07		
				.XX	±0.02			SCALE 1=1		
01	CHG GD LD FROM 4:30 TO 7:30 PER IS11-0510 & REDRAWN IN DRAFT SIGHT.			UD	09/24/12	PKG	.XXX	±0.005	REF	
				.XXXX	±0.0005	MAT'L.		FMF		
NO. REVISION				BY & DATE		CHK	ANG	±1.0	PREV	
THIS DRAWING IN DESIGN AND DETAIL IS OUR PROPERTY AND MUST NOT BE USED EXCEPT IN CONNECTION WITH OUR WORK ALL RIGHTS OF DESIGN AND INVENTION ARE RESERVED THIS IS AN ELECTRONICALLY GENERATED DOCUMENT - DO NOT SCALE THIS PRINT				RFP	CAD FILE		52A111799	SIZE	DRAWING NO.	
				DIST				A	52A111799	REV. 01



REV.	DESCRIPTION	DATE	APPROVED
6	UPDATED FORMAT	12/01/05	MAM

EITHER ROTATION-SINGLE VOLTAGE-TYPE KC OR KH-WITH THERMAL PROTECTOR



NOTE #1 - TO REVERSE ROTATION INTERCHANGE RED (T8) AND BLACK (J9-KC OR T5-KH) LEADS.
 NOTE #2 - WHEN MORE THAN ONE CAPACITOR IS USED CONNECT IN PARALLEL.

SWITCH (C) - 115D958AB REF. DIAG. - 121A851 CONN. LABEL - 52X332048

SIGNATURES	DATE
MODEL M.D.PAPE	06/29/87
DETAIL	
CHECKED	
ENGRG	
MFG	
QUALITY	
ISSUED	M.D.P. 03/08/00
SOLID MODEL: 52A105379AA	

REGAL-BELOIT CORPORATION

REGAL-BELOIT

CONNECTION DIAGRAM

FMF - 30 FR SWITCH REDESIGN

SCALE: 1.000 REF. No.:

SIZE DRAWING A

52A105379AA

REV 6